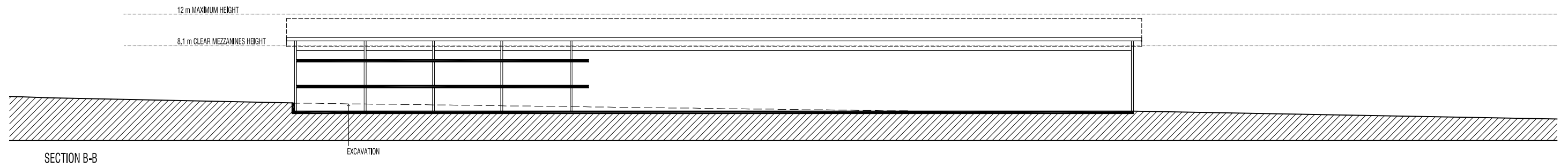


SECTION B-B

PSA7279 / A-LS-08

0 2 5 10m
1:500 @ A3

11 June 2004



THIS DRAWING HAS BEEN PREPARED
BASED ON GENERAL INFORMATION
PROVIDED BY KPMG & THE NATIONAL
LIBRARY OF AUSTRALIA.
THE SITE CONFIGURATION SHOWN
+ ARCHITECTURAL LAYOUT ARE
SUBJECT TO FINAL SITE SURVEY
+ DETAILED ENGINEERING
INVESTIGATION.